

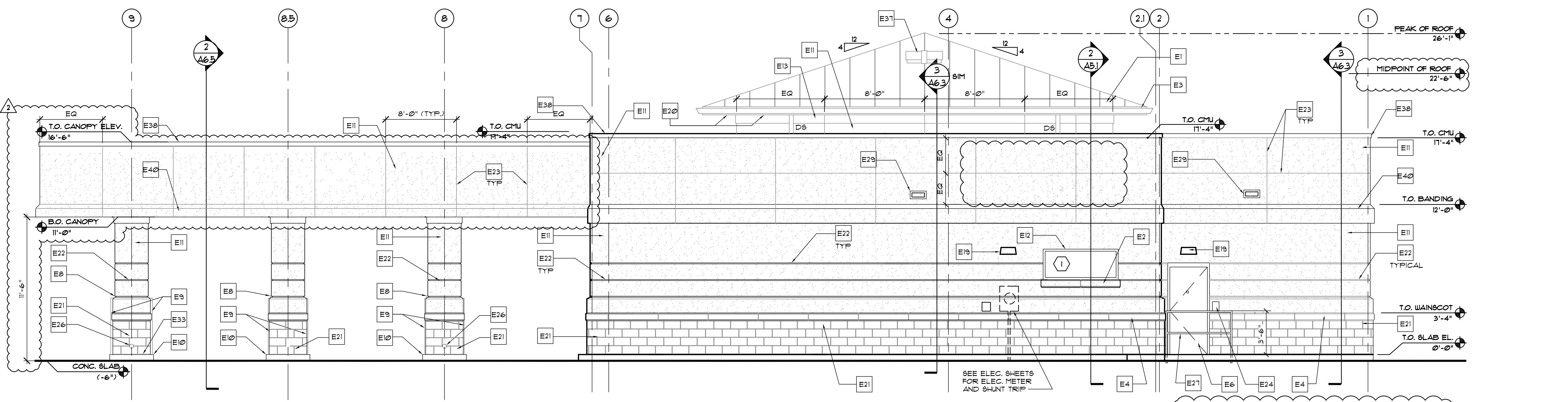
THIS DRAWING AND ANY REPRODUCING ARE NOT TO BE REPRODUCED, PUBLISHED, COPIED, EITHER WHOLLY OR IN PART, WITHOUT THE WRITTEN CONSENT OF THE ARCHITECT. THE ARCHITECT'S LIABILITY IS LIMITED TO THE PROFESSIONAL SERVICES PROVIDED. THE ARCHITECT SHALL NOT BE HELD RESPONSIBLE FOR ANY DAMAGE TO PERSONS OR PROPERTY ARISING FROM THE USE OF THIS DRAWING. THE CONTRACTOR IS RESPONSIBLE FOR OBTAINING ALL NECESSARY PERMITS AND FOR OBTAINING THE NECESSARY APPROVALS FROM THE CITY OF HOLLYWOOD. THE CONTRACTOR IS RESPONSIBLE FOR OBTAINING THE NECESSARY APPROVALS FROM THE CITY OF HOLLYWOOD. THE CONTRACTOR IS RESPONSIBLE FOR OBTAINING THE NECESSARY APPROVALS FROM THE CITY OF HOLLYWOOD.

JPMorgan Chase Bank
 6975 Taft Street
 City of Hollywood, Broward County, Florida 33024

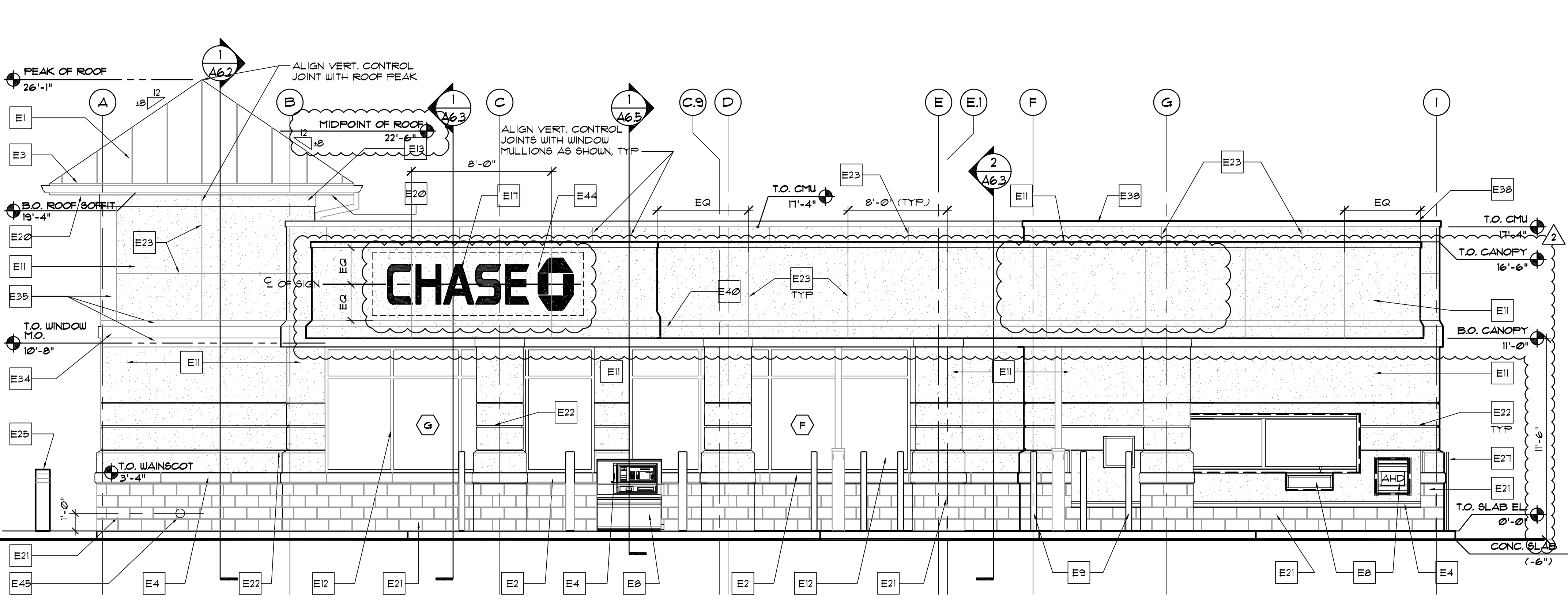
REV.	DATE & COMMENTS
2	FIRE MARSHALL COMMENT 7-16-10
JW	

JOB NUMBER:	09314
DATE:	4-9-10
DRAWN BY:	JW
SCALE:	AS NOTED
DRAWING:	EXTERIOR
BUILDING ELEVATIONS	
SHEET NUMBER	
A4.2	

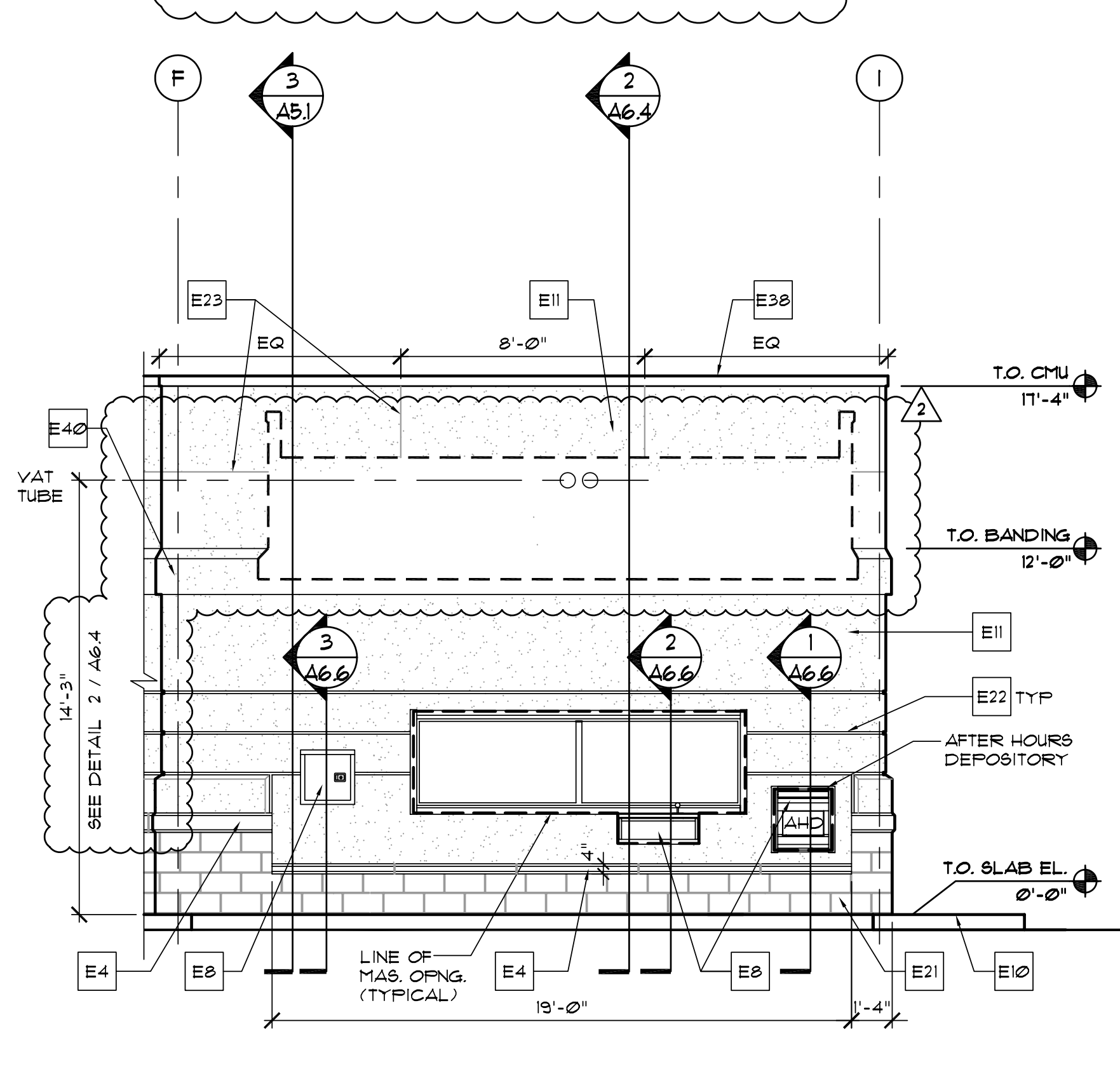
Architect of Record:
 Gregg A. Holdsworth, AIA, LEED AP
 FL Lic. # - AR017669



NORTH BUILDING ELEVATION SCALE 1/4" = 1'-0" 1



EAST BUILDING ELEVATION SCALE 1/4" = 1'-0" 2



EXTERIOR DRIVE-THRU ELEVATION SCALE 1/4" = 1'-0" 3

ELEVATION KEYNOTES

- | | | | | | |
|--|---|---|---|---|--|
| <p>E1 STANDING BEAM MTL. ROOFING, MATCH BERRIDGE MANUF. CO. COLOR: 'ZINC GRAY'</p> <p>E2 CUSTOM CAST STONE WINDOW SILL BY ROCKCAST, COLOR TO BE 'BONE' GP-B WITH SMOOTH (SM) TEXTURE</p> <p>E3 PREFINISHED METAL GUTTERS, 6" W. x 4 3/4" DEEP, 'K-STYLE' W/ 4" W. x 2 1/4" DEEP CORRUGATED RECTANGULAR DOWNSPOUTS, GUTTER, DS, & FASCIA COLOR TO BE EPT-1</p> <p>E4 CAST STONE WATERTABLE BY ROCKCAST #UT300, COLOR TO BE 'BONE' GP-B WITH SMOOTH (SM) TEXTURE</p> <p>E5 FLASHING TO CONNECT CANOPY TO BUILDING. SEE SHEET A6.5</p> <p>E6 HOLLOW METAL DOOR & FRAME, PAINT EPT-1</p> <p>E7 6" TALL WITH 1/2" THICK STROKE VINYL ADDRESS NUMBER (WHITE)</p> | <p>E8 BANK EQUIPMENT BY OWNER G.C. TO PROVIDE OPENINGS AND ELECTRICAL REQUIREMENTS IN ACCORDANCE WITH FINAL APPROVED BANK EQUIPMENT SHOP DRAWINGS.</p> <p>E9 BOLLARD BY G.C. SEE DETAILS SHT. A5.1</p> <p>E10 CONCRETE CURB & ISLANDS</p> <p>E11 EIFS-3, WITH SCORE PATTERN AS INDICATED.</p> <p>E12 GLAZED ALUMINUM STOREFRONT WINDOW, SEE SHEET A-8.2</p> <p>E13 EIFS-1 (APPLY AT VERT. & HORIZ. FACE)</p> <p>E14 SIGN BY SIGN PROVIDER, ELECTRICAL POWER & FINAL CONNECTION BY G.C.</p> <p>E15 GLAZED ALUMINUM CURTAINWALL SYSTEM, SEE SHEET A-8.2</p> | <p>E16 (NOT USED)</p> <p>E17 SIGN- ELEC. POWER REQ'D</p> <p>E18 SIGN- NO ELEC. POWER REQ'D</p> <p>E19 EXTERIOR LIGHT FIXTURE, SEE ELEC. DWGS.</p> <p>E20 PAINT SOFFIT EPT-1</p> <p>E21 4" CAST STONE VENEER AS MANUFACTURED BY ROCKCAST, COLOR TO BONE GP-B WITH SLATE (SLT) TEXTURE</p> <p>E22 1" WIDE X 3/4" DEEP REVEAL. SEE DETAIL 4 / A4.1</p> <p>E23 CONTROL JOINT- 3/4" WIDE 'V' GROOVE. SEE DETAIL 3 / A4.1</p> | <p>E24 FLUSH KNOX BOX - VERIFY LOCATION</p> <p>E25 LIGHT BOLLARD. SEE ELEC. SHEETS</p> <p>E26 CANOPY ROOF OVERFLOW DOWNSPOUT NOZZLE. SEE CANOPY DETAILS</p> <p>E27 1 1/2" DIA. PRE-FIN. ALUM. RAIL (MATCH EPT-1), CORE DRILL & EPOXY GROUT INTO CONC. MIN. 8" DEPTH & MIN. 2" CONC. COVERAGE</p> <p>E28 CARD READER & OVERRIDE SWITCH - REFER TO SECURITY DRAWINGS FOR ADD'L INFO.</p> <p>E29 RELIEF SCUPPER (PRE-FINISHED OR PAINTED TO MATCH EPT-3)</p> <p>E30 UPPER FASCIA PANEL ANODIC CLEAR FINISH (SUBMIT SAMPLES FOR APPROVAL)</p> <p>E31 LOWER FASCIA PANEL REYNOLDBOND KONIG BLUE FINISH (SUBMIT SAMPLES FOR APPROVAL)</p> | <p>E32 STEEL TUBE COLUMN TO BE PAINTED (EPT-6) BY GENERAL CONTRACTOR</p> <p>E33 PROVIDE WEATHER TIGHT SHEET ALUM BOX OVER CONDUIT STUB OPENING IN ISLAND.</p> <p>E34 OMEGA-LITE ALUM. PANELS "REGAL BLUE" AS MANUF. BY LAMINATORS, INC. ROUT AND RETURN INSTALLATION SYSTEM. CONTACT 945 CORPORATION OF ILLINOIS, PHONE# 630-521-0910.</p> <p>E35 OMEGA-LITE ALUM. PANELS "BRIGHT SILVER" AS MANUF. BY LAMINATORS, INC. ROUT AND RETURN INSTALLATION SYSTEM. CONTACT 945 CORPORATION OF ILLINOIS, PHONE# 630-521-0910.</p> <p>E36 (NOT USED)</p> <p>E37 OFF-RIDGE ROOF VENTS W/ INSECT SCREEN. SEE SPECIFICATIONS</p> | <p>E38 MTL COPING, PRE-FINISHED TO MATCH ADJACENT EIFS</p> <p>E40 EIFS ACCENT BAND, EIFS-2</p> <p>E41 (NOT USED)</p> <p>E42 (NOT USED)</p> <p>E43 (NOT USED)</p> <p>E44 PROVIDE 5/8" THICK EXPOSURE 1 PLYWOOD SHEATHING IN LIEU OF DENOGLASS FOR SIGN MOUNTING. NOTE: PLYWOOD ONLY APPLIES TO STEEL CONSTRUCTION.</p> <p>E45 ROOF OVERFLOW DRAIN, DOWNSPOUT, SEE PLUMBING DRAWINGS</p> |
|--|---|---|---|---|--|

A THROUGH I
 HEXAGONS A - I REFERENCE IMPACT RESISTANT GLAZING SEE SHEET A-8.2 FOR DETAILS

EXTERIOR ELEVATION SPECIFIC NOTES SCALE (NOT TO SCALE) 4